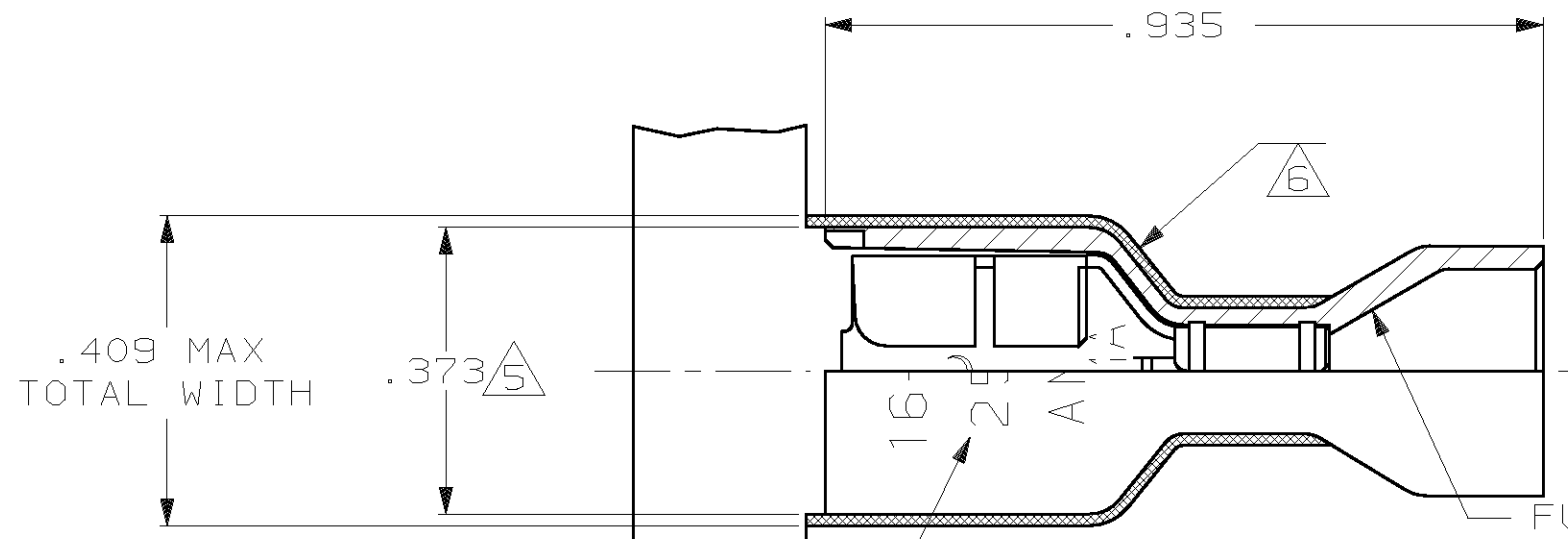
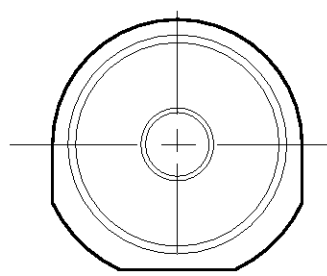
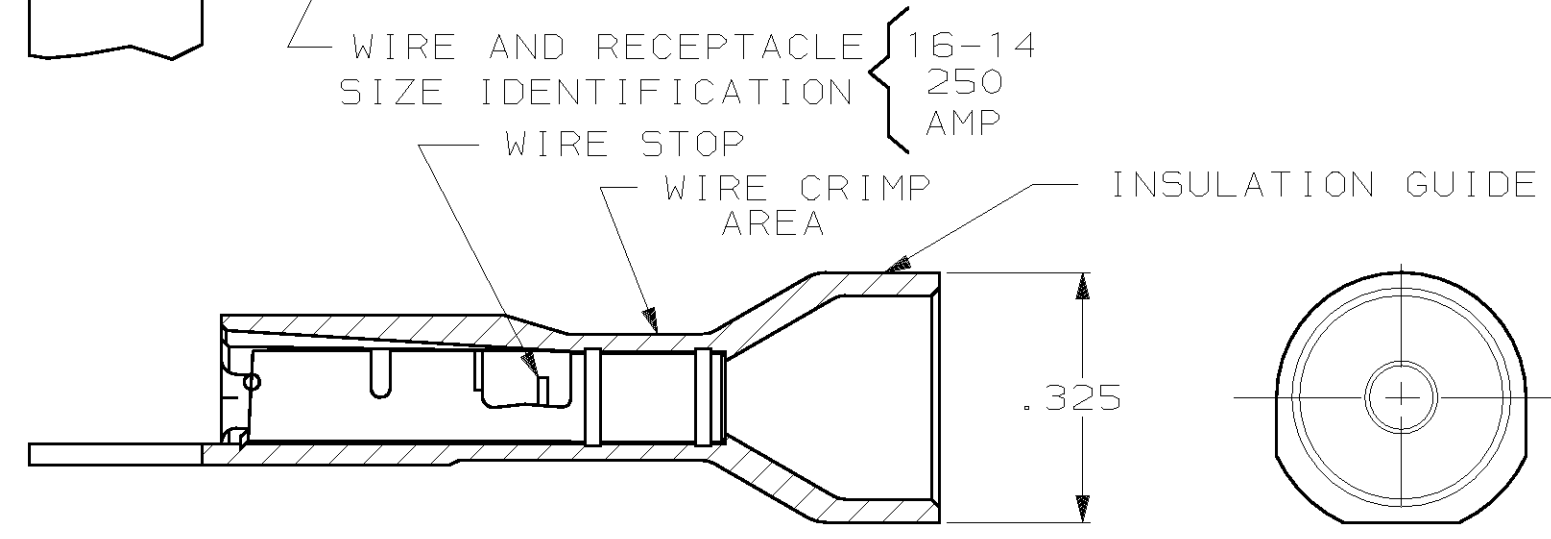
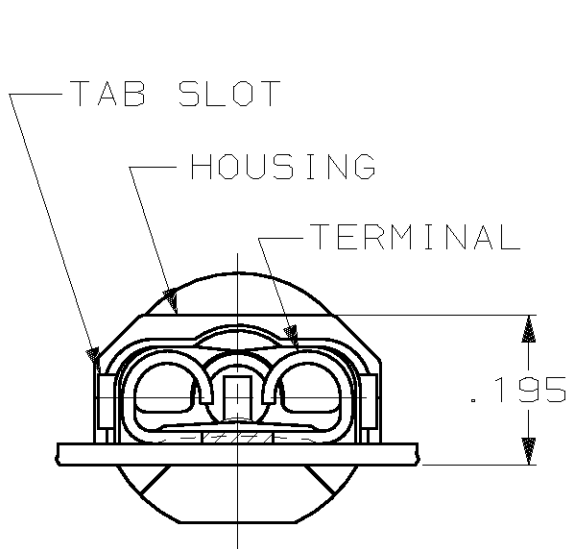


THIS DRAWING IS UNPUBLISHED. RELEASED FOR PUBLICATION, 19
 © COPYRIGHT 19 BY AMP INCORPORATED. ALL INTERNATIONAL RIGHTS RESERVED.

LOC	DIST	P	F	REVISIONS				
AF	50			ZONE	LTR	DESCRIPTION	DATE	APPD
					A	REL 3-2 PER 0L10-0017-98	2/5/98	JR/JW



- 1 MATES WITH .032±.001×.250 TAB, PER NEMA DC-2
- 2 WIRE STRIP LENGTH .281
- 3 INSULATION SIZE .260 MAX DIA
- 4 CONTINUOUS STRIP ON REELS
- 5 DIMENSION DOES NOT INCLUDE TRIM BURR
- 6 .015 MAX CARRIER TRIM BURR PER SIDE IS ALLOWABLE IN THE SHADED AREA



STANDARD	HOUSING: NYLON, COLOR-BLUE TRANSLUCENT RECEPTACLE: #3 HARD BRASS, TIN .000080 MIN	3-521150-2
PACKAGING	MATERIAL & FINISH	PART NO

DO NOT SCALE PRINT. UNLESS SPECIFIED DIMENSIONS IN INCHES TOLERANCES ON: 2 PLC DEC ± - 3 PLC DEC ± .015 ANGLES ± -	DR 12/10/97 JR RUTH	AMP INCORPORATED Harrisburg, Pa. 17105
	CHK 12/10/97 P FORTNEY	
	APPD 12/10/97 J WORMAN	
	APPD 12/10/97 D BRATINA	
MATERIAL SEE TABLE	PRODUCT SPEC 108-2043	NAME RECEPTACLE ASSY, ULTRA-FAST, .250 SERIES, 16-14 AWG
FINISH SEE TABLE	APPLICATION SPEC 114-2123	SIZE B FSCM NO 00779 DRAWING NO 521150
	WEIGHT -	SCALE 4:1 SHEET 1 OF 1